



### Features :

- Constant voltage design
- Universal AC input / Full range
- Withstand 300VAC surge input for 5 seconds
- Protections: Short circuit / Overload / Over voltage
- Cooling by free air convection
- Fully encapsulated with IP67 level (Note.8)
- Fully isolated plastic case
- Class II power unit, no FG
- Class 2 power unit
- Pass LPS
- Suitable for LED related fixture or appliance (such as LED Decoration or Advertisement devices)(Note.12)
- 100% full load burn-in test
- Low cost, high reliability
- 2 years warranty



IS 15885(Part 2/Sec13)

LPS IP67

R-41027766 (for 12V,24V only)

us

EAC

CB

CE

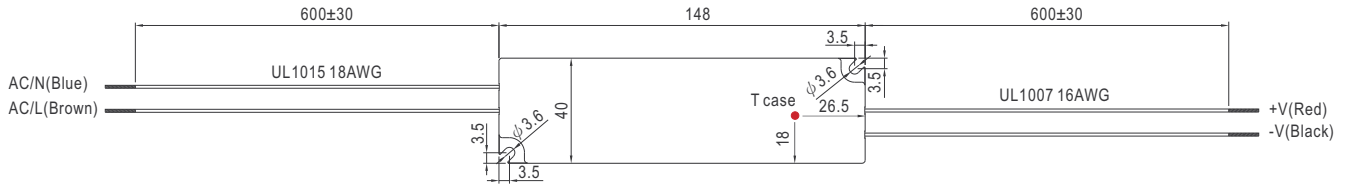
UK CA

### SPECIFICATION

| MODEL   | LPV-35-5  | LPV-35-12  | LPV-35-15                         | LPV-35-24      | LPV-35-36    |              |
|---|---|--|-----------------------------------|----------------|--------------|--------------|
| OUTPUT  | DC VOLTAGE  | 5V   | 12V                               | 15V            | 24V          | 36V          |
|   | RATED CURRENT   | 5A   | 3A                                | 2.4A           | 1.5A         | 1A           |
|   | CURRENT RANGE   | 0 ~ 6A (Note.7)  | 0 ~ 3A                            | 0 ~ 2.4A       | 0 ~ 1.5A     | 0 ~ 1A       |
|   | RATED POWER   | 30W  | 36W                               | 36W            | 36W          | 36W          |
|   | RIPPLE & NOISE (max.) Note.2  | 80mVp-p  | 120mVp-p                          | 120mVp-p       | 150mVp-p     | 150mVp-p     |
|   | VOLTAGE TOLERANCE Note.3  | ±6.0%  | ±5.0%                             |                |              |              |
|   | LINE REGULATION   | ±1.0%  |                                   |                |              |              |
|   | LOAD REGULATION   | ±4.0%  | ±2.0%                             |                |              |              |
|   | SETUP, RISE TIME Note.6   | 500ms, 20ms / 230VAC   | 500ms, 20ms / 115VAC at full load |                |              |              |
| HOLD UP TIME (Typ.)   | 50ms/230VAC   | 16ms/115VAC at full load   |                                   |                |              |              |
| INPUT   | VOLTAGE RANGE Note.4  | 90 ~ 264VAC  | 127 ~ 370VDC                      |                |              |              |
|   | FREQUENCY RANGE   | 47 ~ 63Hz  |                                   |                |              |              |
|   | EFFICIENCY (Typ.)   | 77%  | 84%                               | 84%            | 85%          | 85%          |
|   | AC CURRENT (Typ.)   | 1.1A/115VAC  | 0.7A/230VAC                       |                |              |              |
|   | INRUSH CURRENT(Typ.)  | COLD START 55A(twidth=510µs measured at 50% Ipeak) at 230VAC   |                                   |                |              |              |
|   | MAX. No. of PSUs on 16A CIRCUIT BREAKER   | 4 units (circuit breaker of type B) / 7 units (circuit breaker of type C) at 230VAC  |                                   |                |              |              |
| PROTECTION  | OVERLOAD  | 110 ~ 150% rated output power<br>Protection type : Hiccup mode, recovers automatically after fault condition is removed                                  |                                   |                |              |              |
|   | OVER VOLTAGE  | 5.75 ~ 6.75V   | 13.8 ~ 16.2V                      | 17.25 ~ 20.25V | 27.6 ~ 32.4V | 41.4 ~ 48.6V |
| ENVIRONMENT   | WORKING TEMP.   | -30 ~ +65°C (Refer to "Derating Curve")  |                                   |                |              |              |
|   | WORKING HUMIDITY  | 20 ~ 90% RH non-condensing   |                                   |                |              |              |
|   | STORAGE TEMP., HUMIDITY   | -40 ~ +80°C, 10 ~ 95% RH   |                                   |                |              |              |
|   | TEMP. COEFFICIENT   | ±0.03%/°C (0 ~ 50°C)   |                                   |                |              |              |
|   | VIBRATION   | 10 ~ 500Hz, 2G 10min./1cycle, period for 60min. each along X, Y, Z axes  |                                   |                |              |              |
| SAFETY & EMC  | SAFETY STANDARDS  | UL1310 class 2, CAN/CSA No. 223-M91, BIS IS15885(for LPV-35-12,LPV-35-24 only), IEC62368-1, EAC TP TC 004, IP67 approved;Design refer to BS EN/EN62368-1 |                                   |                |              |              |
|   | WITHSTAND VOLTAGE   | I/P-O/P:3KVAC  |                                   |                |              |              |
|   | ISOLATION RESISTANCE  | I/P-O/P:>100M Ohms / 500VDC / 25°C/ 70% RH   |                                   |                |              |              |
|   | EMC EMISSION  | Compliance to BS EN/EN55032 (CISPR32) Class B, BS EN/EN61000-3-2 Class A, BS EN/EN61000-3-3, EAC TP TC 020   |                                   |                |              |              |
| OTHERS  | EMC IMMUNITY  | Compliance to BS EN/EN61000-4-2,3,4,5,6,8,11, BS EN/EN55024, light industry level, criteria A, EAC TP TC 020   |                                   |                |              |              |
|   | MTBF  | 743.5Khrs min. MIL-HDBK-217F (25°C)  |                                   |                |              |              |
| DIMENSION   | DIMENSION   | 148*40*30mm (L*W*H)  |                                   |                |              |              |
|   | PACKING   | 0.34Kg; 40pcs/14.6Kg/0.70CUFT  |                                   |                |              |              |
| NOTE  | <ol style="list-style-type: none"> <li>All parameters NOT specially mentioned are measured at 230VAC input, rated load and 25°C of ambient temperature.</li> <li>Ripple &amp; noise are measured at 20MHz of bandwidth by using a 12" twisted pair-wire terminated with a 0.1µf &amp; 47µf parallel capacitor.</li> <li>Tolerance : includes set up tolerance, line regulation and load regulation.</li> <li>Derating may be needed under low input voltage. Please check the static characteristics for more details.</li> <li>The power supply is considered as a component that will be operated in combination with final equipment. Since EMC performance will be affected by the complete installation, the final equipment manufacturers must re-quality EMC Directive on the complete installation again.</li> <li>Length of set up time is measured at first cold start. Turning ON/OFF the power supply may lead to increase of the set up time.</li> <li>LPV-35-5 can provide 6A of output current continuously. Based on the requirement of UL1310 class 2, the output current is only certified up to 5A for the test report of LPV-35-5.</li> <li>Suitable for indoor use or outdoor use without direct sunlight exposure. Please avoid immerse in the water over 30 minute.</li> <li>The ambient temperature derating of 3.5°C/1000m with fanless models and of 5°C/1000m with fan models for operating altitude higher than 2000m(6500ft).</li> <li>Products sourced from the Americas regions may not have the TUV/BIS/CCC logo. Please contact your MEAN WELL sales for more information.</li> <li>For any application note and IP water proof function installation caution, please refer our user manual before using.<br/><a href="https://www.meanwell.com/Upload/PDF/LED_EN.pdf">https://www.meanwell.com/Upload/PDF/LED_EN.pdf</a></li> <li>This product is not intended for LED lighting luminaire applications in the EU.(In the EU the LPF/NPF/XLG series are recommended.)</li> <li>To fulfill requirements of latest ErP regulation for lighting luminaires, this LED Driver can only be used behind a switch without permanently connected to mains.</li> </ol> |  |                                   |                |              |              |
| <p>※ Product Liability Disclaimer : For detailed information, please refer to <a href="https://www.meanwell.com/serviceDisclaimer.aspx">https://www.meanwell.com/serviceDisclaimer.aspx</a></p> |   |  |                                   |                |              |              |

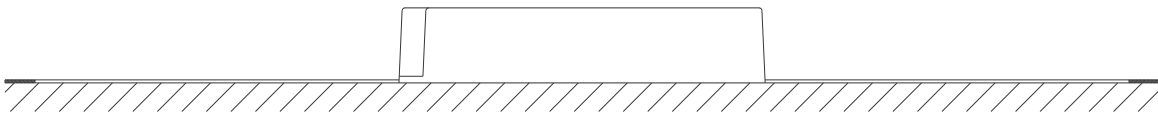
Case No.975A Unit:mm

**Mechanical Specification**

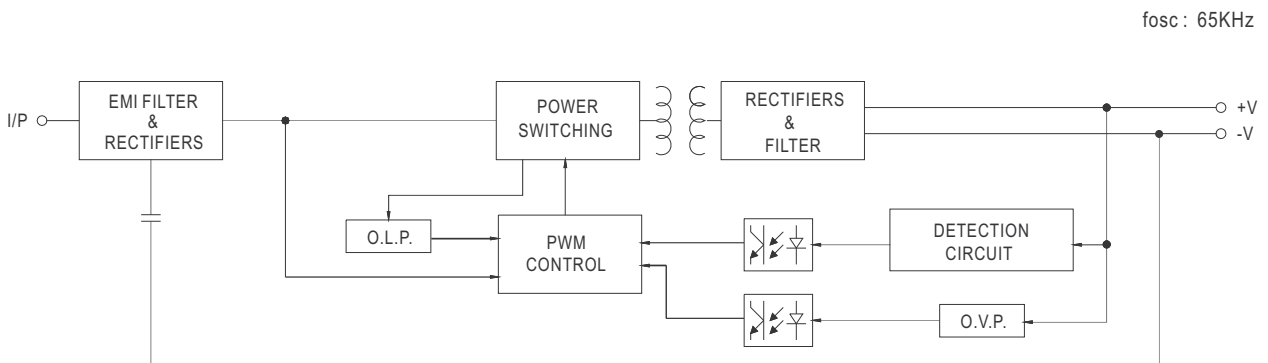


※ T case: Max. Case Temperature.

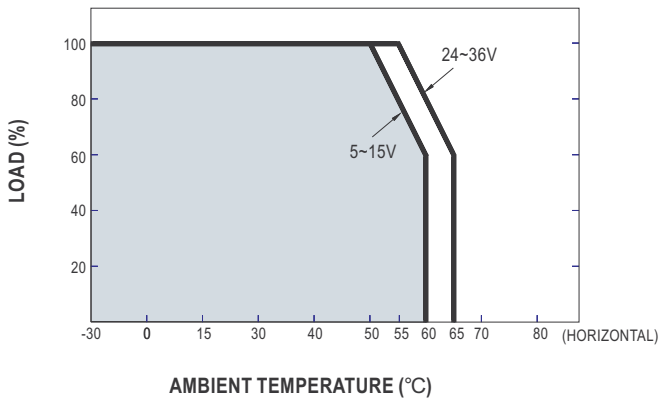
**Recommend Mounting Direction**



**Block Diagram**



**Derating Curve**



**Static Characteristics**

